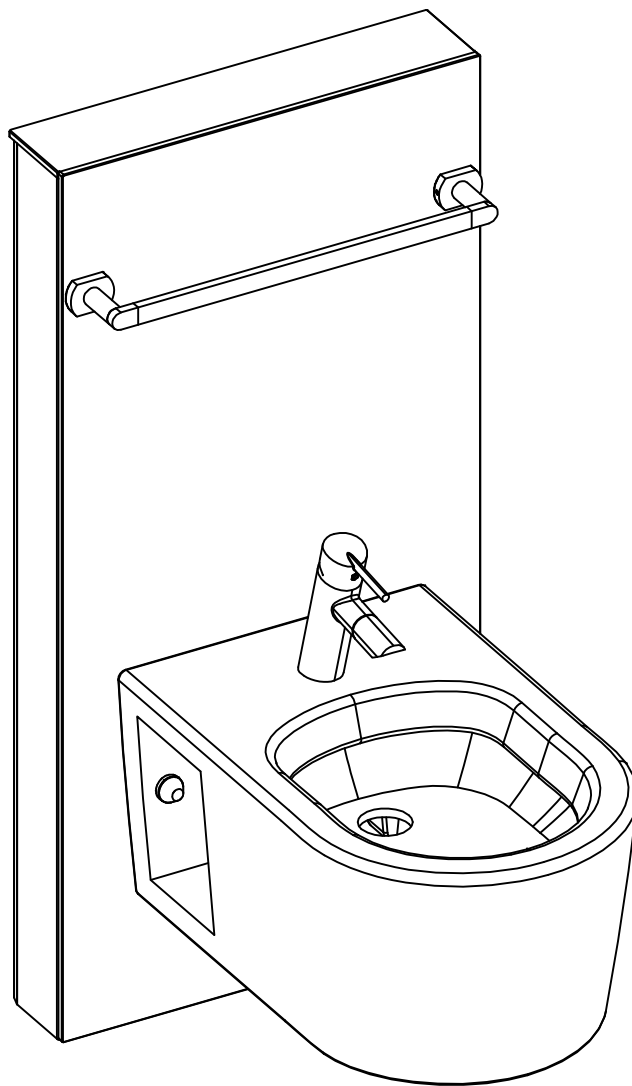















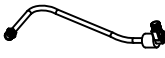
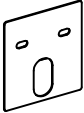

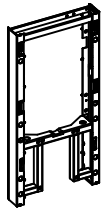




Installation Instruction

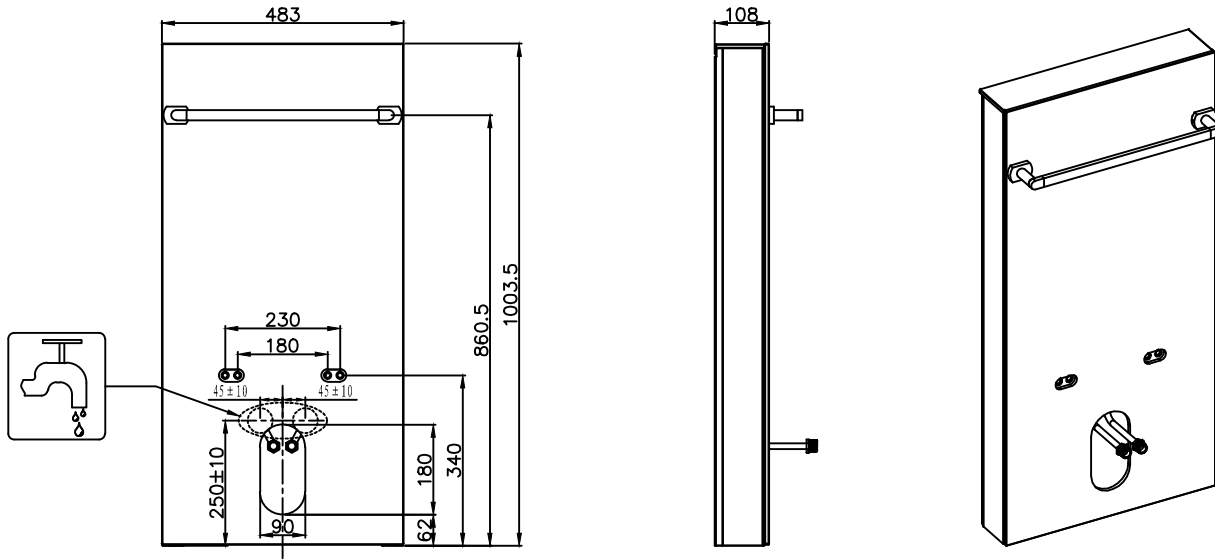
Cabinet for wall hung bidet



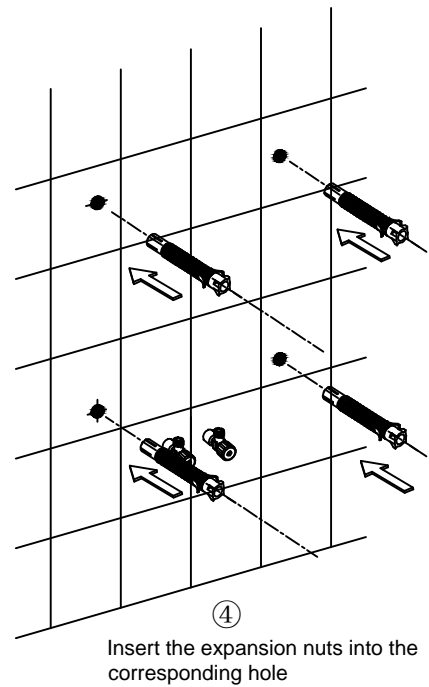
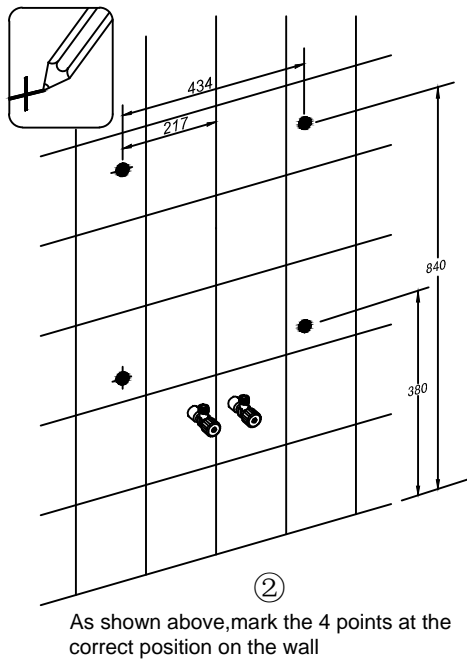
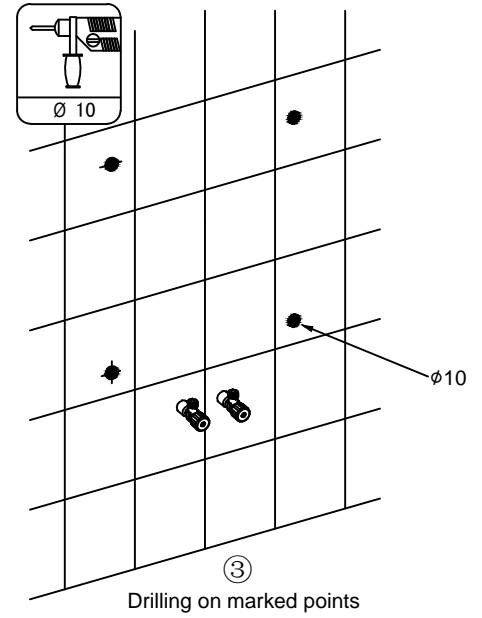
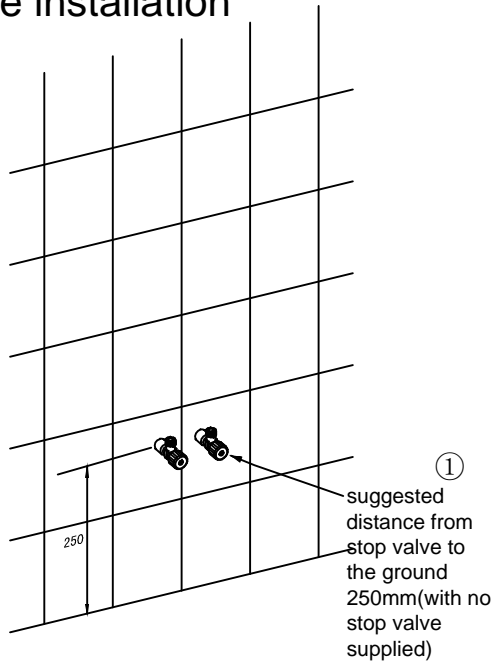
FS04RAKCAB01
FS04RAKCAB02

Item List	Items	Specification	Quantity	Item list	Items	Specifications	Quantity
	M12 bolt	M12x150	2		M5 gasket		2
	decorative cap		2		M5 screw	M5x20	2
	M12 nut		2		M5 screw nut		2
	M12 washer		2		expansion nut (big)	ø10x50	4
	rubber sleeve		2		screw (big)	ST6.8x67	4
	decorative cap base		2		big washer	ø8.5xø22	4
	allen key		1		stainless steel flexible hose		2
	towel rail		1		stainless steel flexible hose (with stop valve)		2
	crash pad		1		washer for the towel rail		2
	frame		1		front glass		1
	top glass		1				

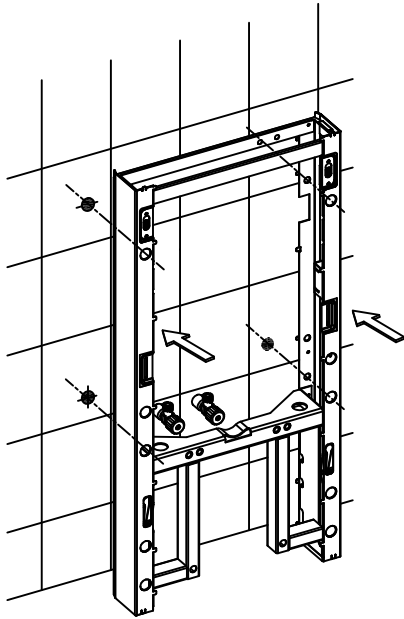
1. Dimension



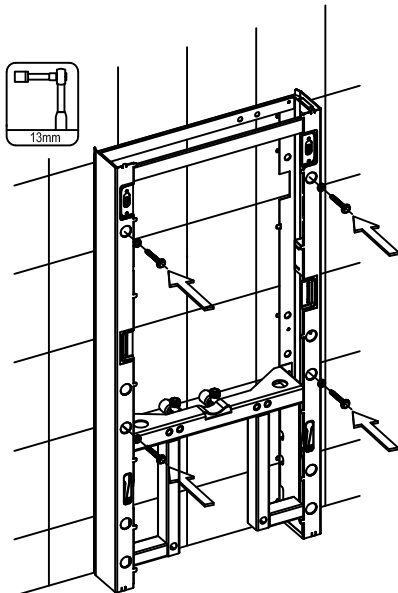
2. Frame installation



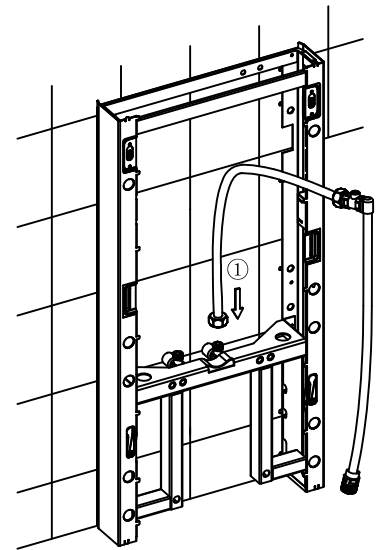
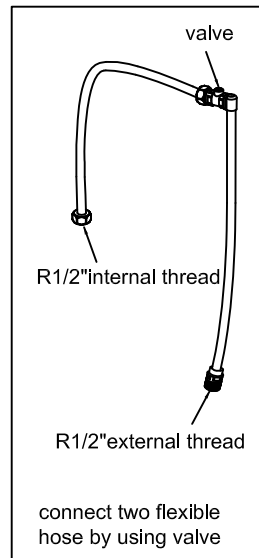
3. Connection of the flexible hose 2



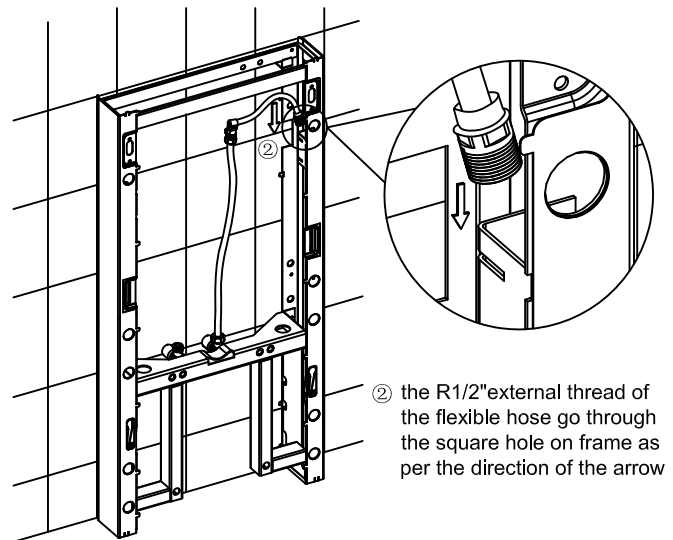
⑤ Align the frame with the hole.



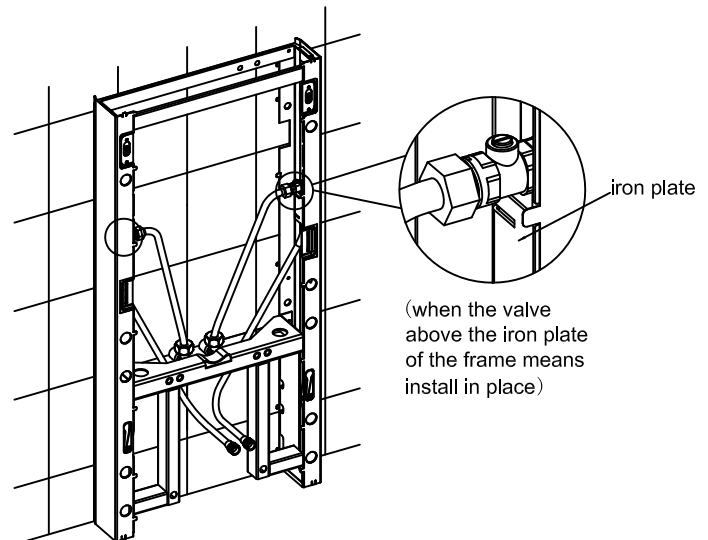
⑥ Fix the frame onto the wall by socket wrench



① connect R1/2" internal thread of the flexible hose to the stop valve

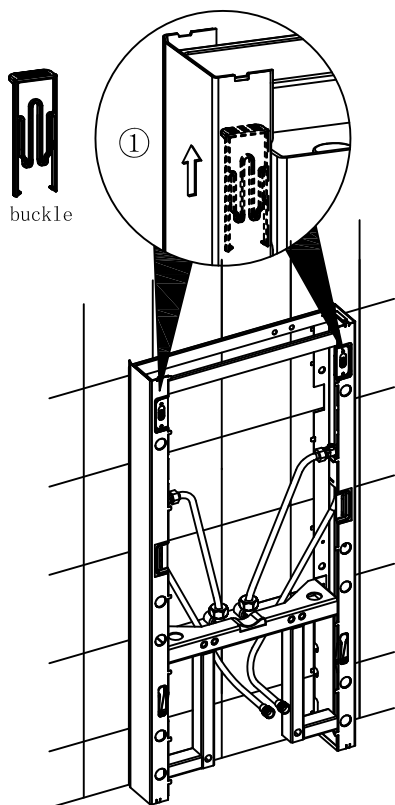


② the R1/2" external thread of the flexible hose go through the square hole on frame as per the direction of the arrow

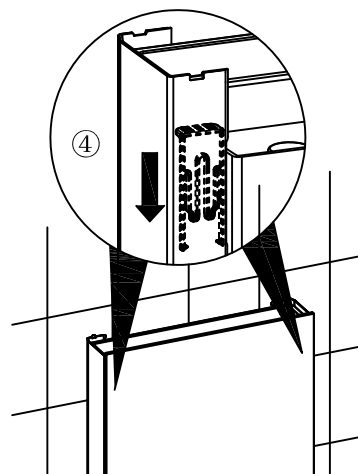


③ Symmetrically install right and left flexible hoses in place

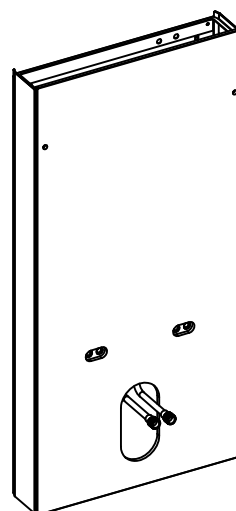
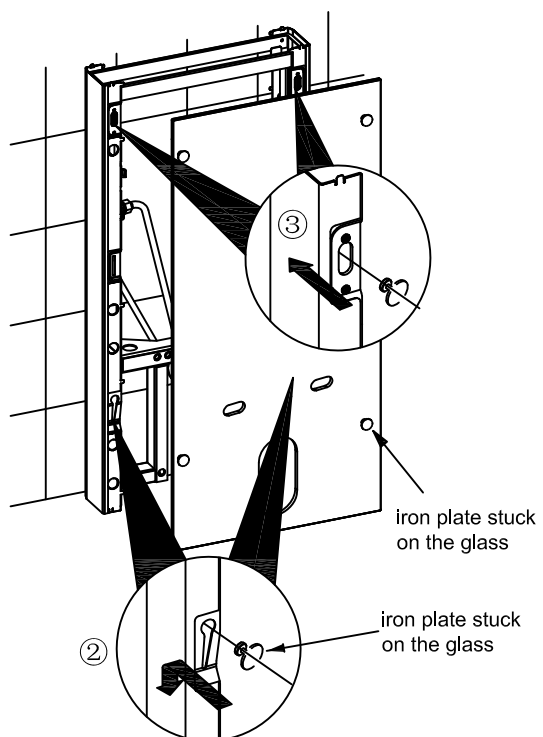
4. Glass installation



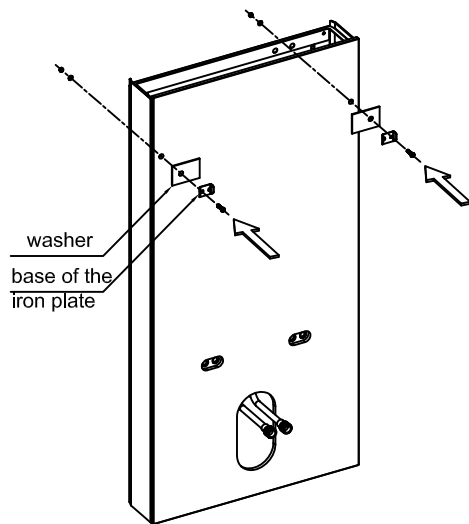
Pull up the buckle of the frame and stop when you hear "click"



Install the glass to the frame, and push the buckle until the glass is tighten.

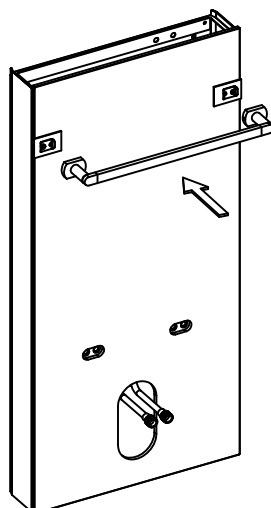
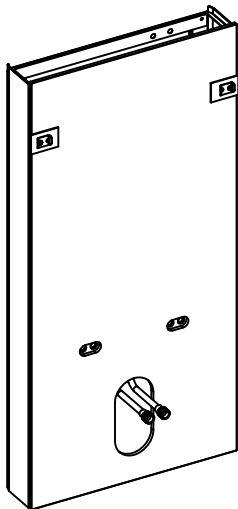


5. Towel rail installation



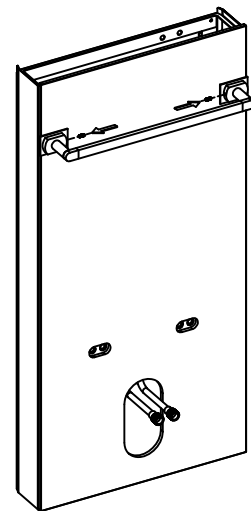
washer
base of the
iron plate

Install the iron plate onto the glass by using screws, screw nuts and washers.

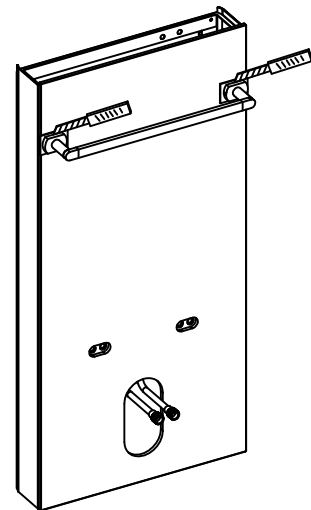


Put the towel rail onto the iron base

4

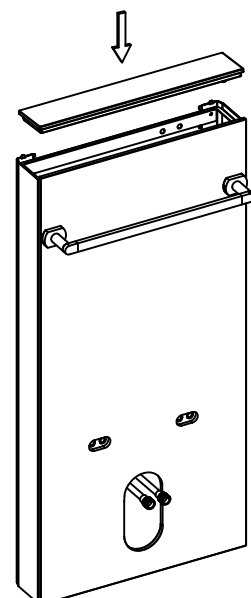


Fix the towel rail on the glass by fixing the screws with allen key



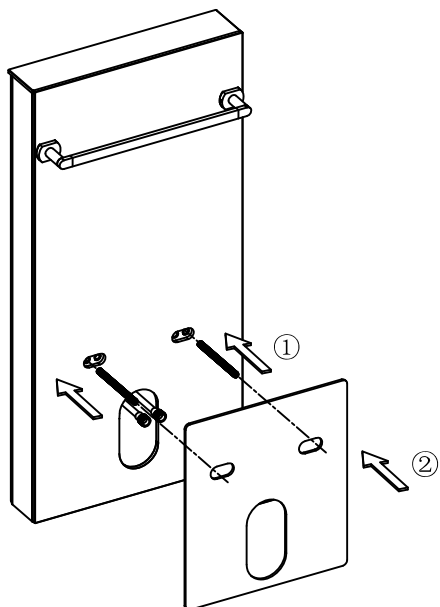
Cut the unnecessary part of the washer after installation.

6. Top glass installation

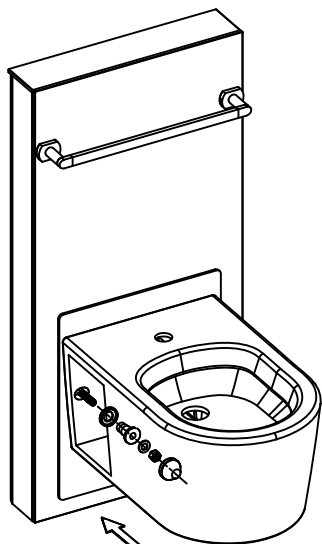


Install the top glass

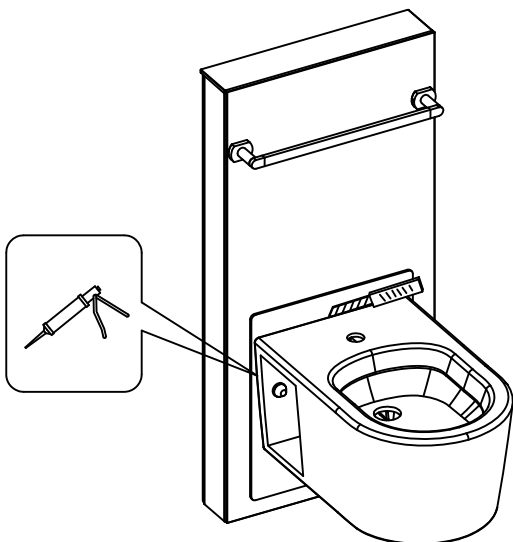
7. Bidet installation



- ① Screw M12 screw bolts into the corresponding holes of the frame, and Set aside appropriate length.
- ② Put the crash pad onto the glass through the screw bolts



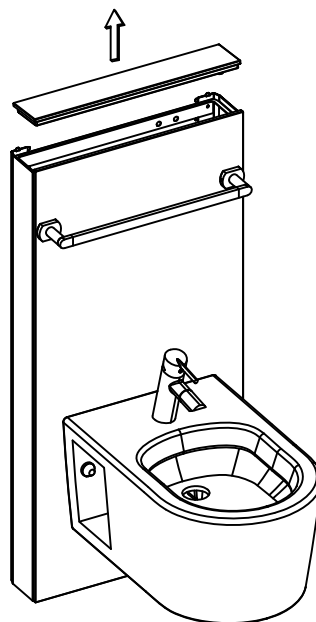
- ③ Install the bidet



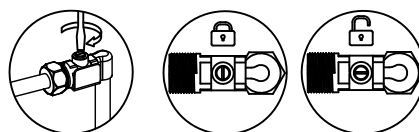
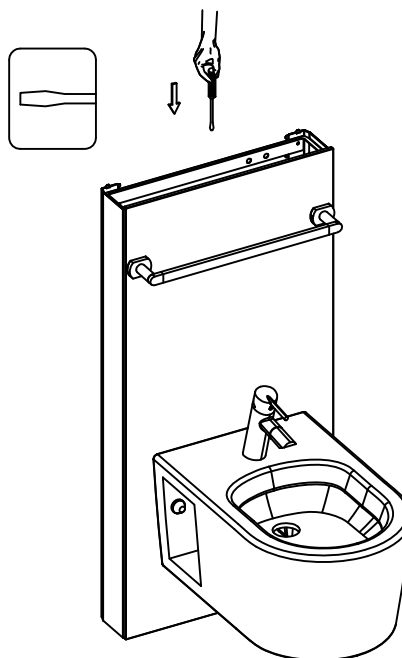
- ④ Cut the unnecessary part of the crash pad after installation.

8. Close the water inlet and maintenance

5



When maintenance and need to close the water inlet ,please remove the top glass first



Next,put hand into the cabinet from the top and close the valve by using slotted screwdriver .