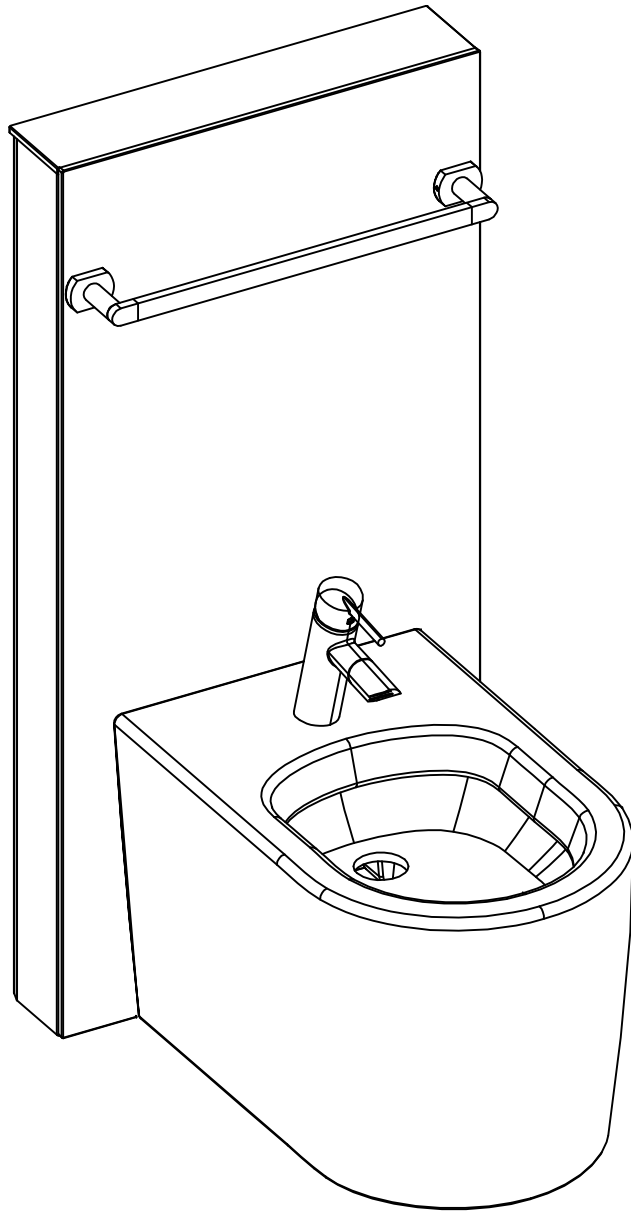











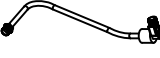


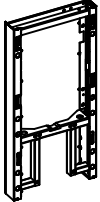
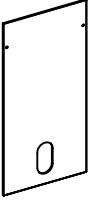
Installation Instruction

Cabinet for back to wall bidet

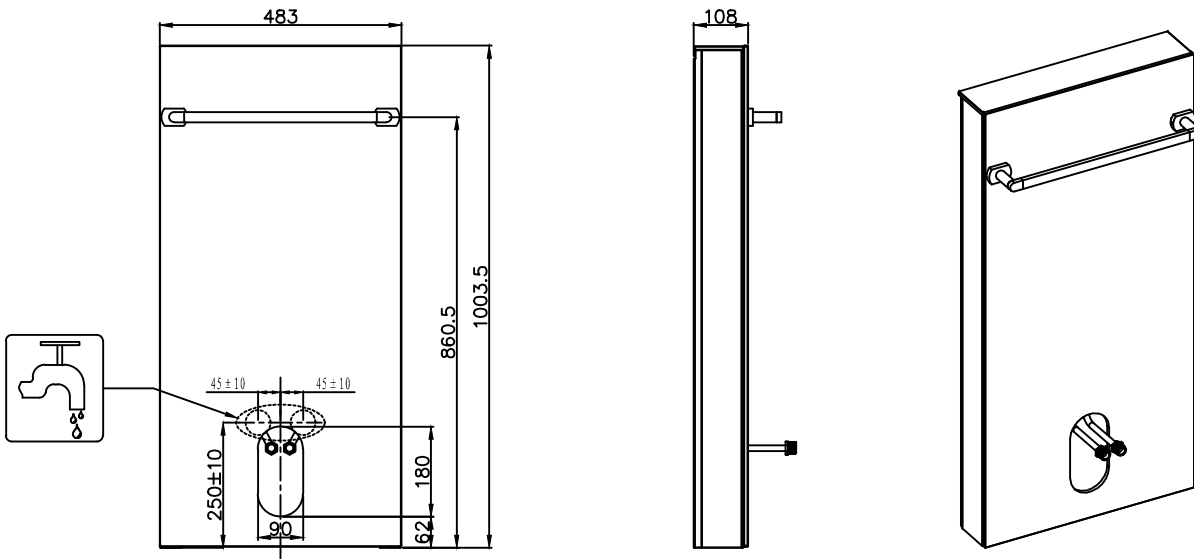


FS12RAKCAB01

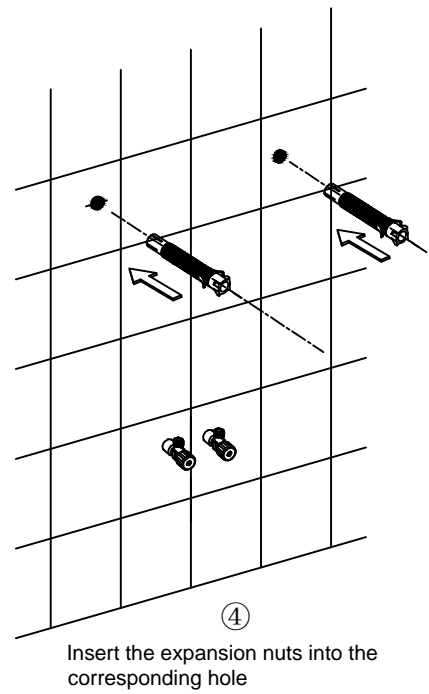
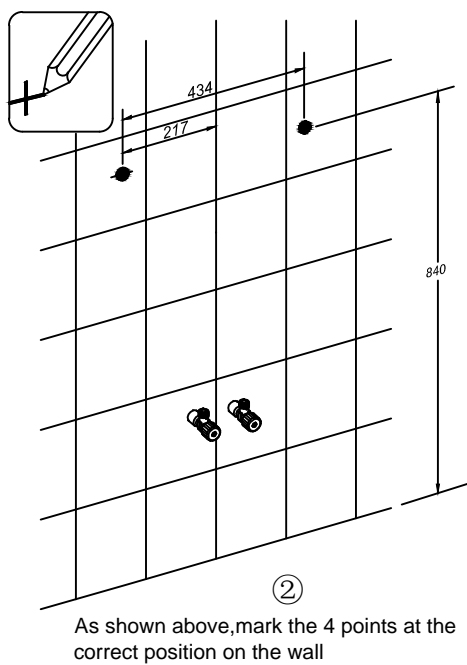
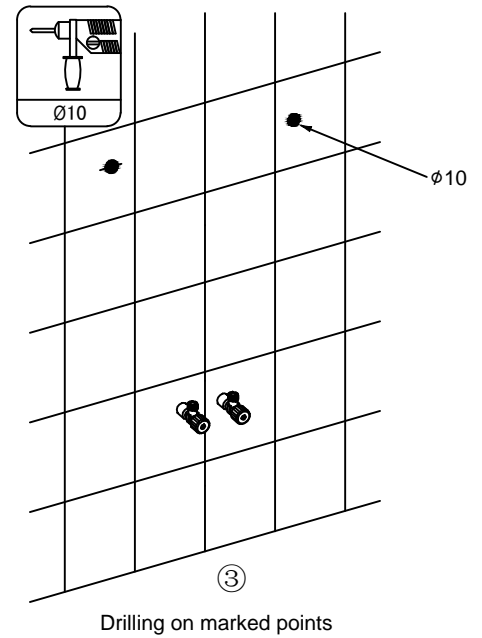
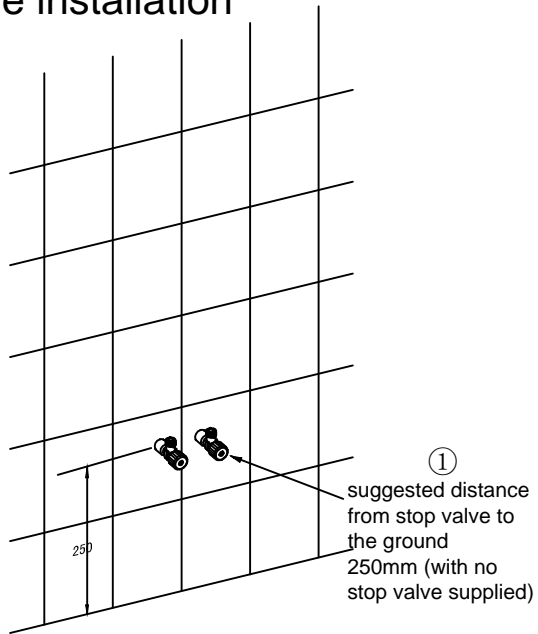
FS12RAKCAB02

Item List	Items	Specification	Quantity	Item list	Items	Specifications	Quantity
	M5 gasket		2		expansion nut (big)	ø10x50	2
	M5 screw	M5x20	2		screw (big)	ST6.8x67	2
	M5 screw nut		2		big washer	ø8.5xø22	2
	allen key		1		stainless steel flexible hose		2
	towel rail		1		stainless steel flexible hose (with stop valve)		2
	top glass		1		washer for the towel rail		2
	frame		1		front glass		1

1. Dimension



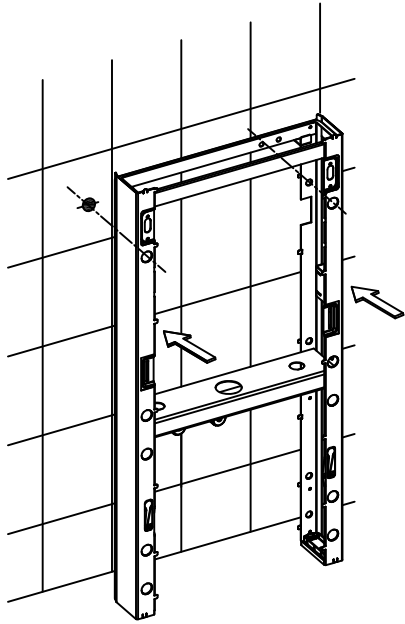
2. Frame installation



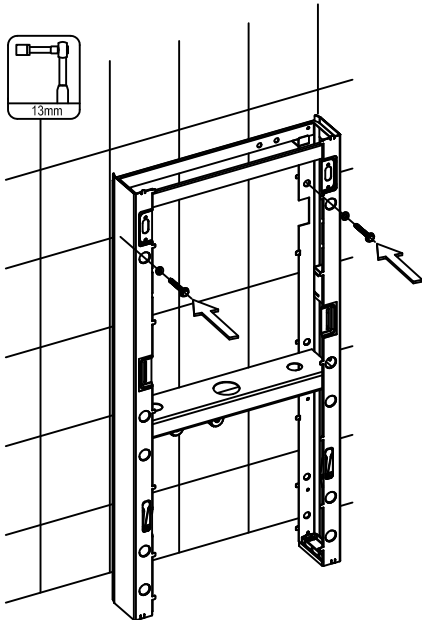
As shown above, mark the 4 points at the correct position on the wall

Insert the expansion nuts into the corresponding hole

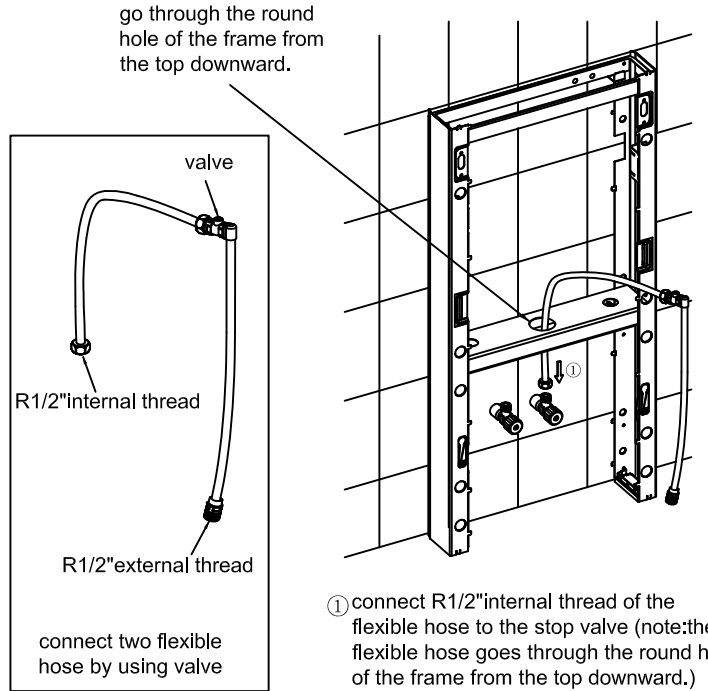
3. Connection of the flexible hose 2



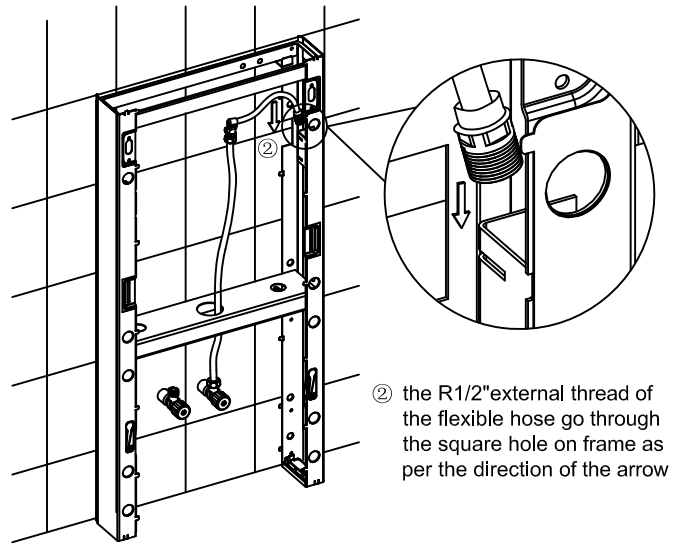
⑤ Align the frame with the hole.



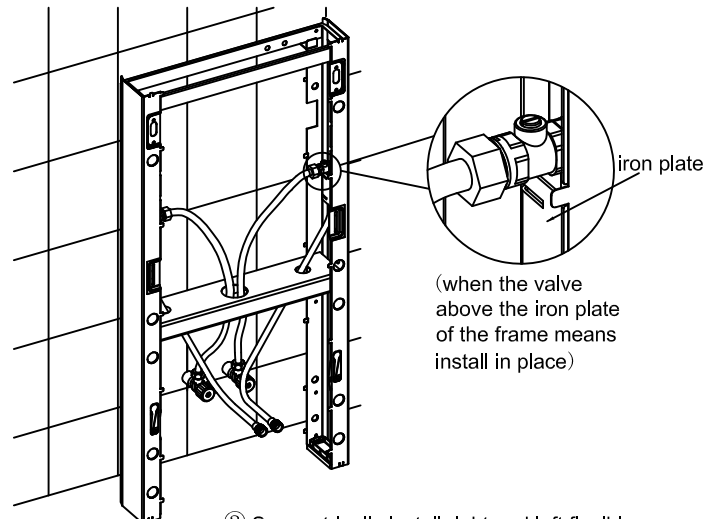
⑥ Fix the frame onto the wall by socket wrench



① connect R1/2" internal thread of the flexible hose to the stop valve (note: the flexible hose goes through the round hole of the frame from the top downward.)

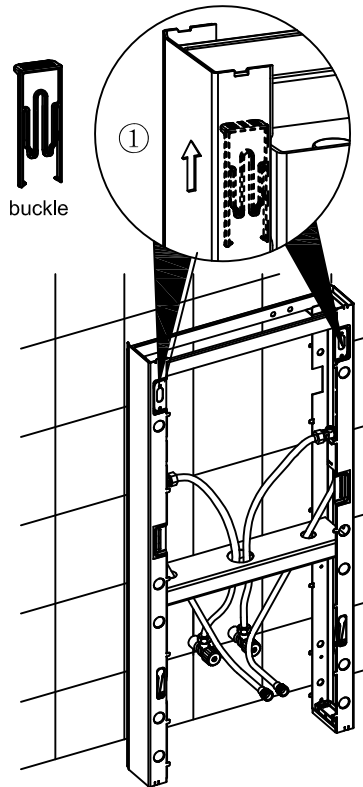


② the R1/2" external thread of the flexible hose go through the square hole on frame as per the direction of the arrow



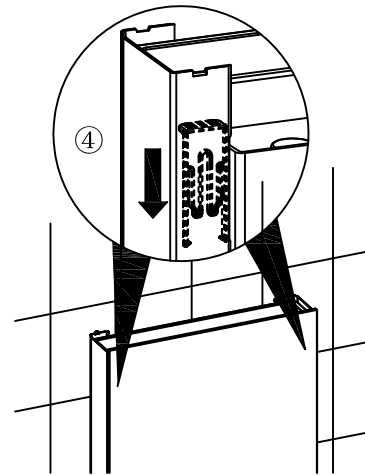
③ Symmetrically install right and left flexible hoses in place

4. Glass installation

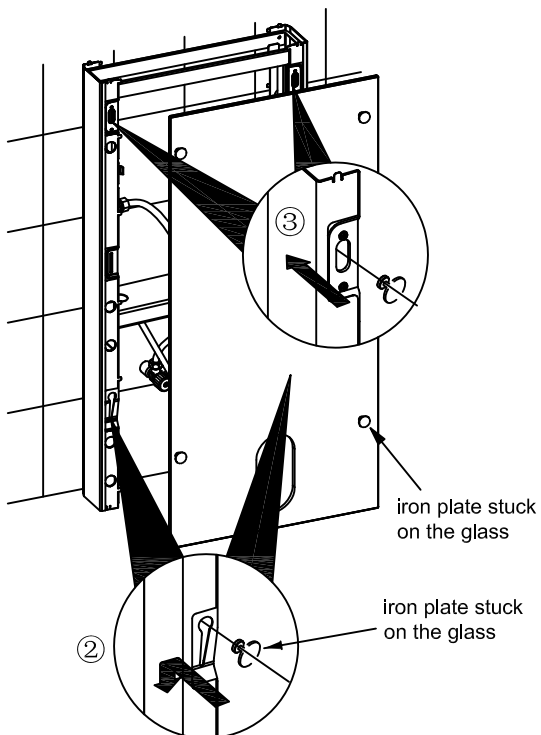


buckle

Pull up the buckle of the frame and stop when you hear "click"

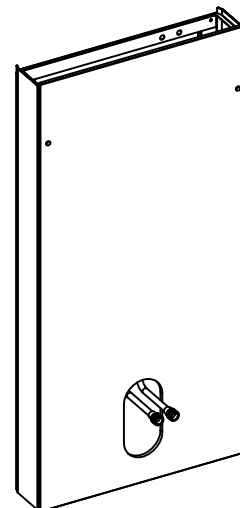


Install the glass to the frame, and push the buckle downwards until the glass is tighten.

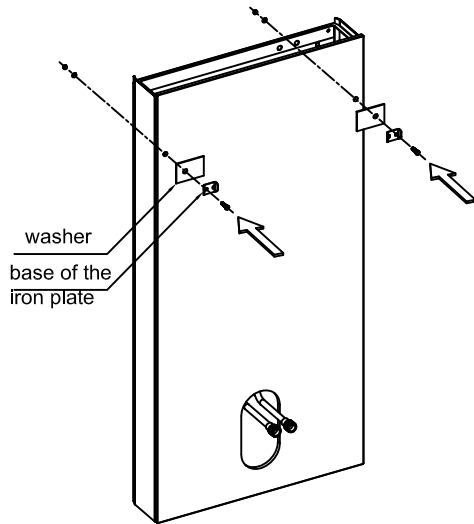


iron plate stuck on the glass

iron plate stuck on the glass

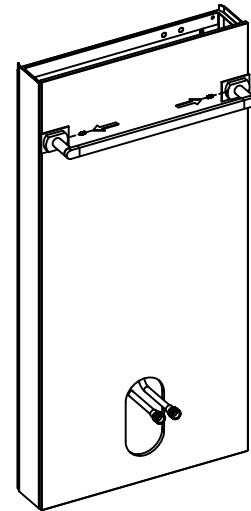


5. Towel rail installation

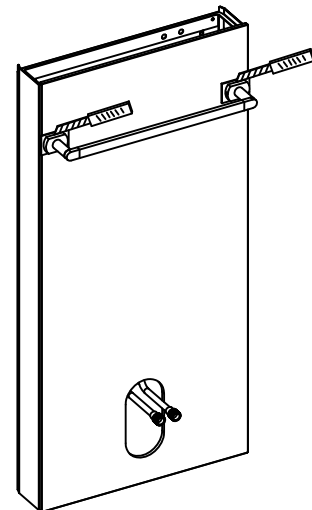
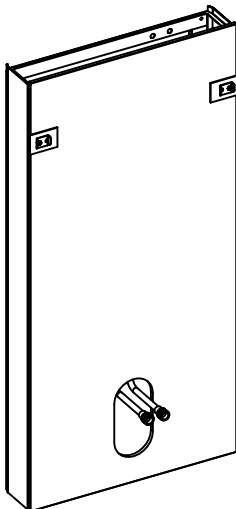


washer
base of the
iron plate

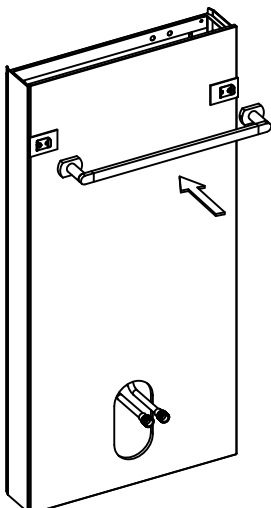
Install the iron plate onto the glass by using screws, screw nuts and washers.



Fix the towel rail on the glass by fixing the screws with allen key

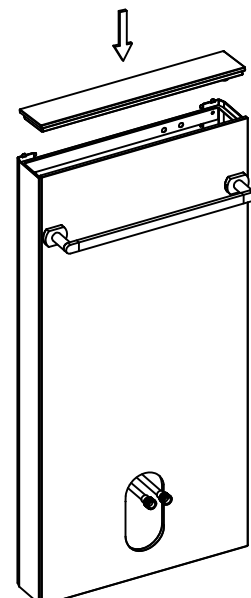


Cut the unnecessary part of the washer after installation.



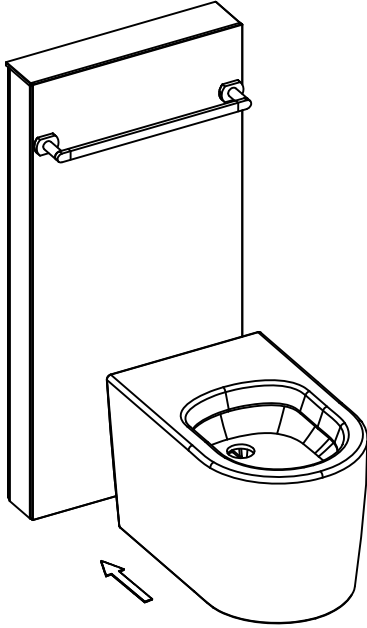
Put the towel rail onto the iron base

6. Top glass installation

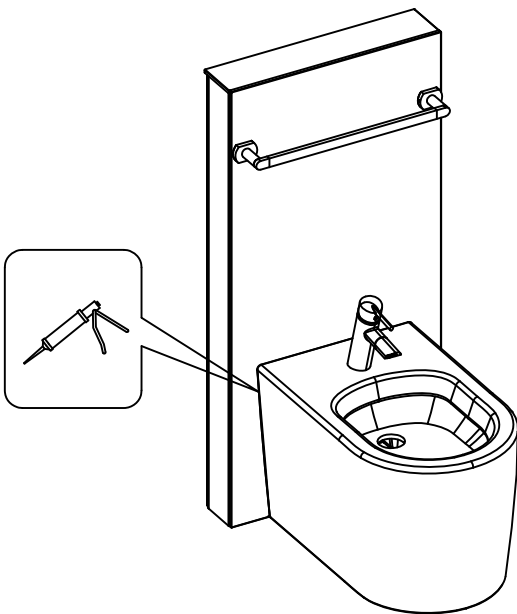


Install the top glass

7. Bidet installation

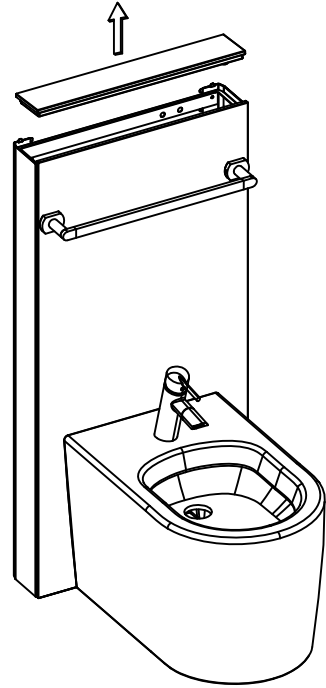


- ① Align the bidet with corresponding hole and then push the bidet to the glass cabinet.

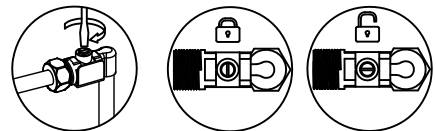
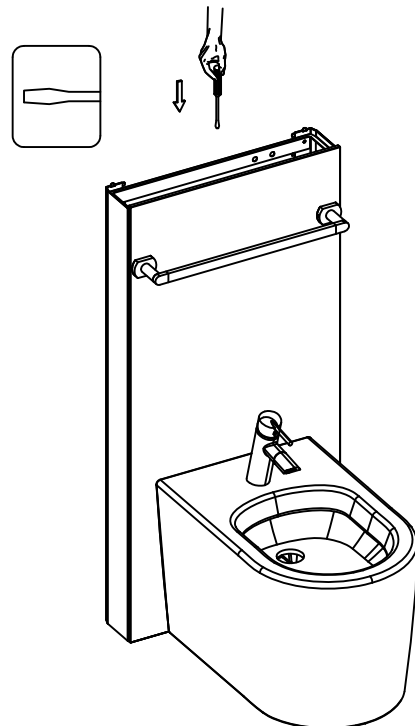


8. Close the water inlet and maintenance

5



When maintenance and need to close the water inlet ,please remove the top glass first



Next,put hand into the cabinet from the top and close the valve by using slotted screwdriver.